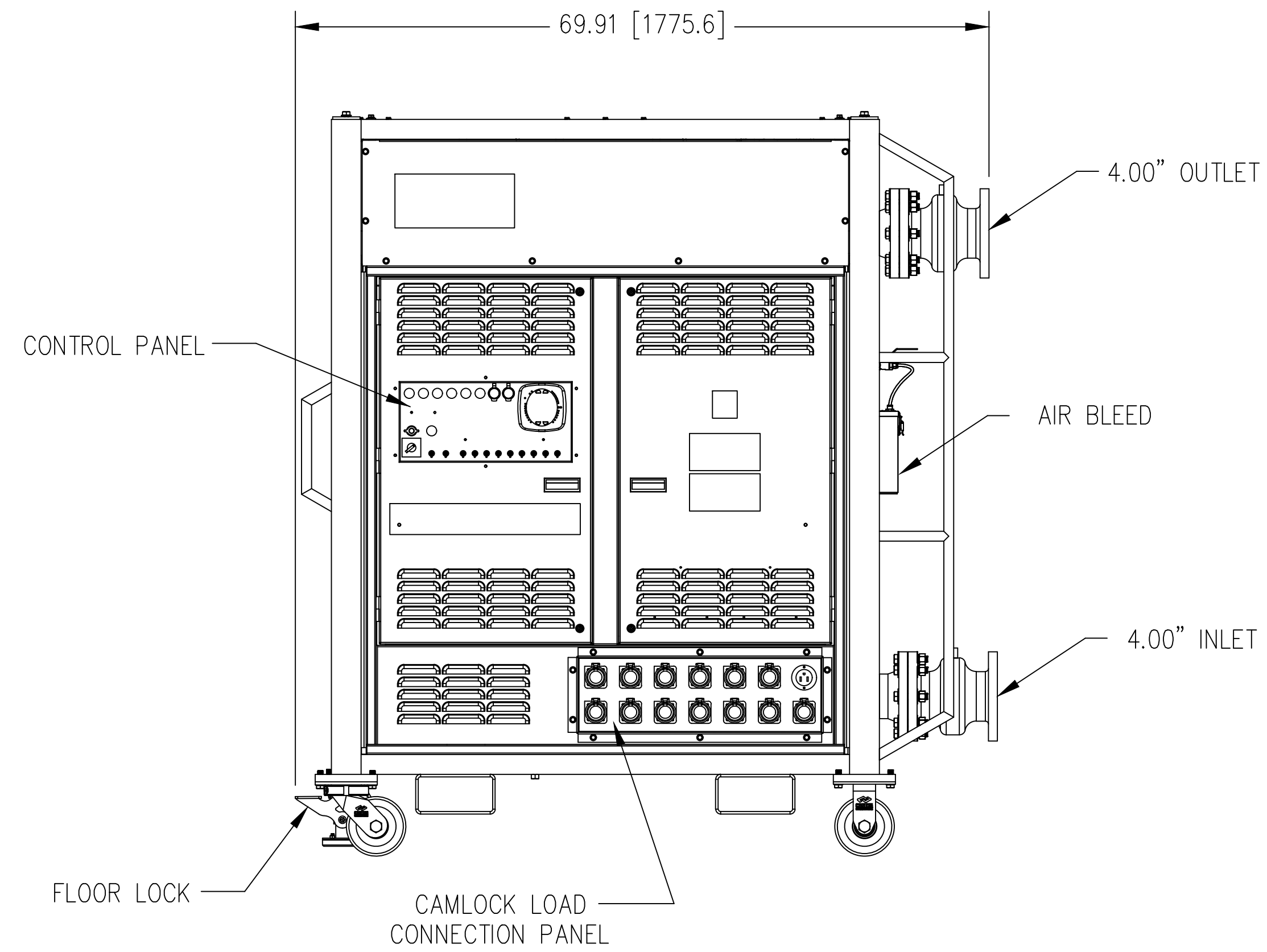
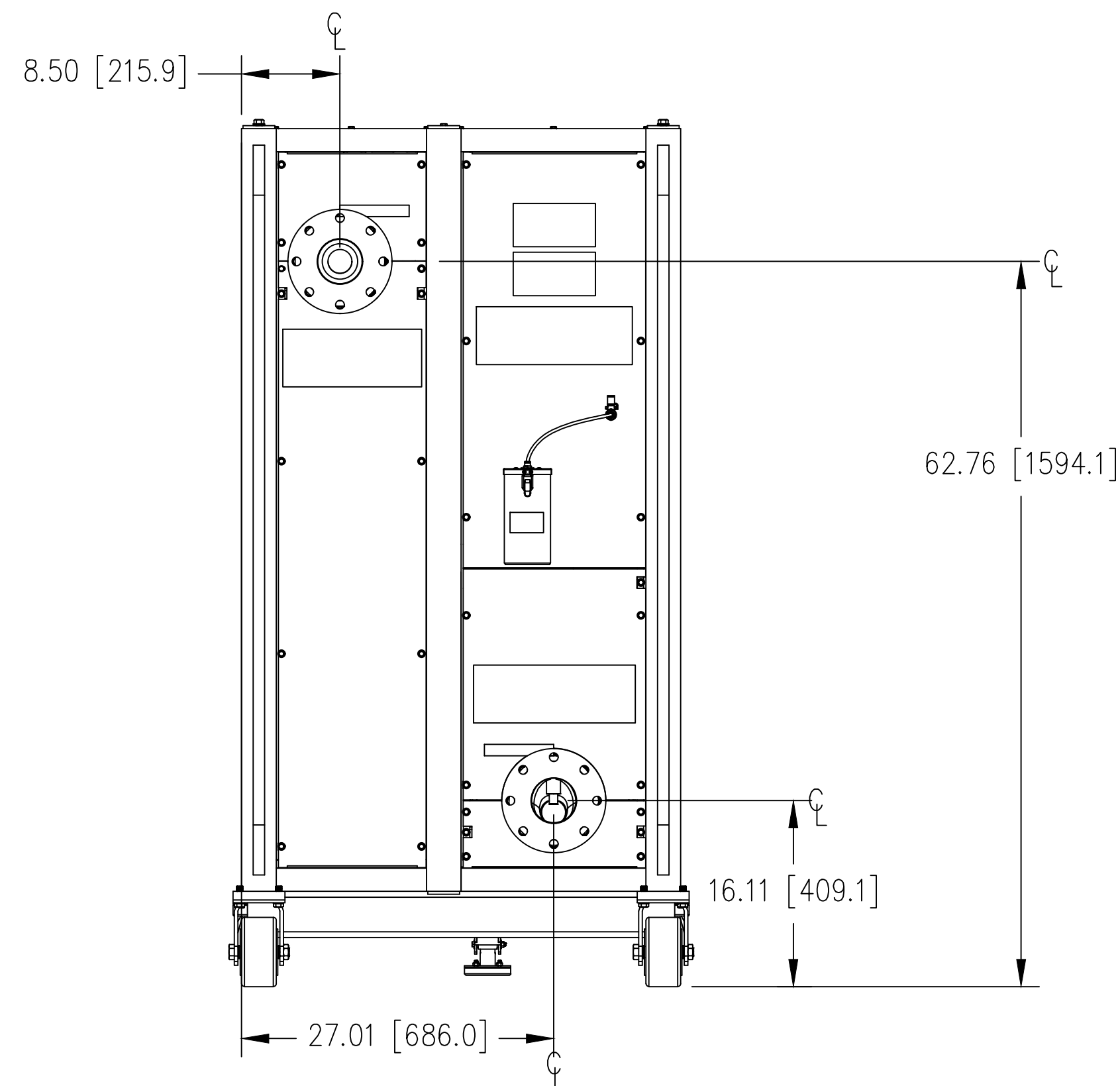


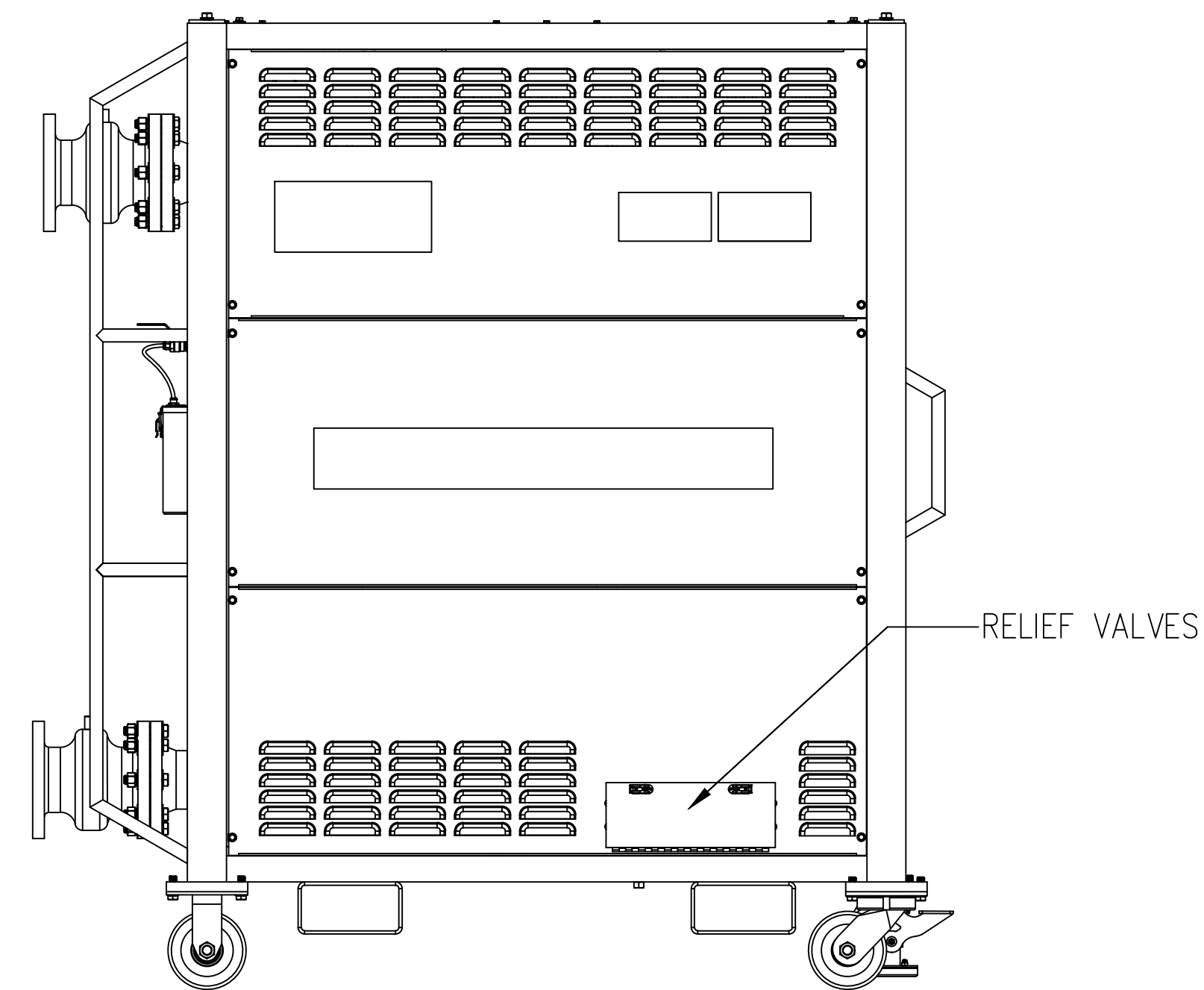
SIDE VIEW



FRONT VIEW



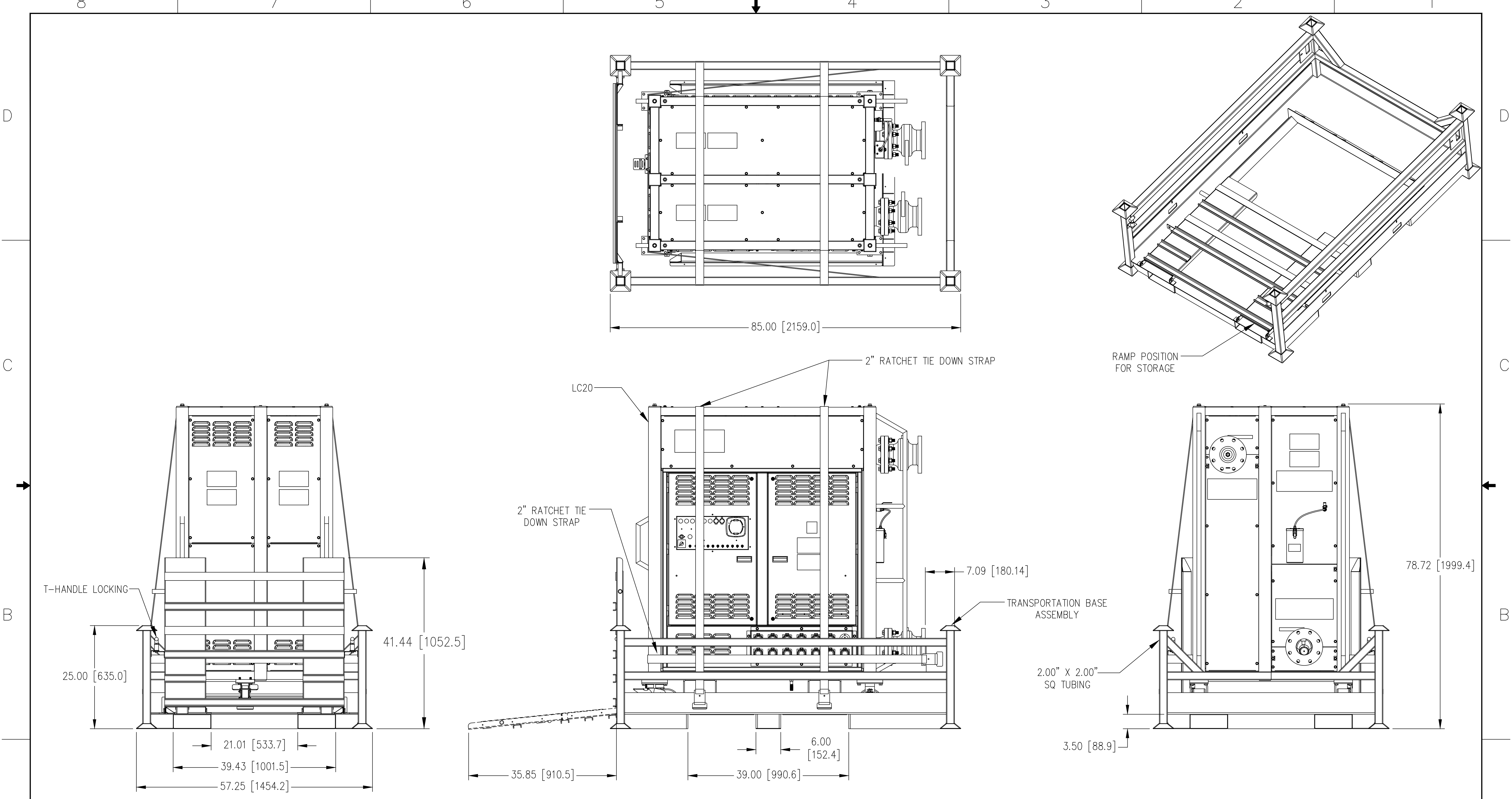
SIDE VIEW



REAR VIEW

- 2. ALL DIMENSIONS ARE APPROX. IN INCHES [mm].
- 1. WEIGHT: 2,500 LBS [1134 Kg] LOAD BANK DRY

PROJECT NAME:		REV. TO SHEET	ECN NO.	BY	APP.	DATE
LIQUID COOLED LOAD BANK (OUTLINE DRAWING)						THIRD ANGLE PROJECTION
BY	DATE	DIMENSIONS ARE IN INCHES UNLESS OTHERWISE SPECIFIED LINEAR DIMENSION DECIMALS: .XX& .03 .XXX& .015 HOLE DIMENSION DECIMALS: .XX& .01 .XXX& .005		ASSEM. REF. NO.		COMPUTER GENERATED DRAWING
CHECKED	GG 8/19/25	PROPERTY OF AVTRON POWER SOLUTIONS LLC. USE PERMITTED FOR OUR WORK ONLY. ALL RIGHTS OF DESIGN OR INVENTION ARE RESERVED.		SCALE	11	SIZE DS
PROJECT APPROVAL	WA 8/19/25			DWG. NO.	1601941	
FINAL APPROVAL		AVTRON AVTRON POWER SOLUTIONS LLC Cleveland, Ohio 44125 U.S.A.		DRAWING REV.	ECN NO.	SHEET 1 OF 2



8. THE PALLET JACK CAN BE ONLY USED ON ANY OF THE TWO LONG SIDE OF THE TRANSPORTATION BASE. FORK LIFT TRUCK CAN BE USED IN FOUR SIDES.

7. MAXIMUM STACKING HEIGHT 4 TRANSPORTATION BASE UNITS. NO LC20.

6. 2" RATCHET STRAPS SUPPLIED TO SECURE LC20 DURING TRANSPORTATION.

5. BASE FABRICATED FROM STRUCTURAL STEEL COMPONENTS.

4. BASE COLOR: GRAY

3. ALL DIMENSIONS ARE APPROX. IN INCHES [mm].

2.

1. WEIGHT: 700 LBS [318 Kg] BASE ONLY, 3200 LBS [1451 Kg] WITH LC20.

PROJECT NAME:		REV. TO SHEET	ECN NO.	BY	APP.	DATE
LIQUID COOLED LOAD BANK						
THIRD ANGLE PROJECTION						
DRAWN BY	GS	DATE	8/19/25	DIMENSIONS ARE IN INCHES UNLESS OTHERWISE SPECIFIED LINEAR DIMENSION DECIMALS: XXX.XX XXXX.XX HOLE DIMENSION DECIMALS: XXX.XX XXXX.XX ANGLES: ± 1°		
CHECKED	GG	DATE	8/19/25	ASSEM. REF. NO.	COMPUTER GENERATED DRAWING	
PROJECT APPROVAL	WA	DATE	8/19/25	SCALE	11	SIZE DS
FINAL APPROVAL				PROPERTY OF AVTRON POWER SOLUTIONS LLC. USE PERMITTED FOR OUR WORK ONLY. ALL RIGHTS OF DESIGN OR INVENTION ARE RESERVED.		DWG. NO. 1601941
				AVTRON AVTRON POWER SOLUTIONS LLC Cleveland, Ohio 44125 U.S.A.		DRAWING REV. ECN INO. SHEET 2 OF 2