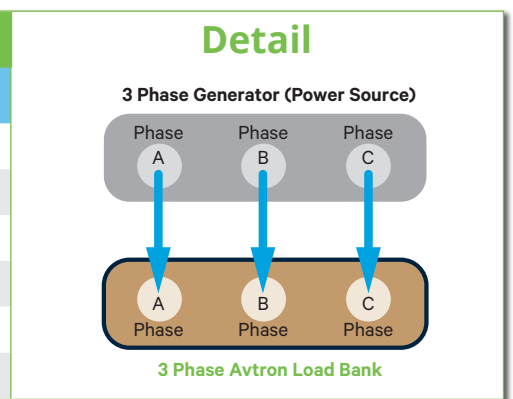


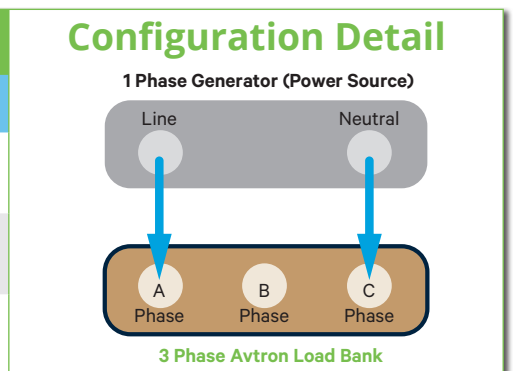
DE-RATE FEATURES

2705 load banks are designed to provide specific kW capacity at rated voltage. The 2705 is configured as a three phase, three wire, delta balanced load bank. Due to the balanced delta design, the 2705 has the ability to load both single and three phase power sources. The charts below detail the capacity de-rating when lower voltages and single phase loading is required.

100%, 3 Phase, 3 Wire						
VAC	Load Steps kW					Total kW
480	5	10	10	25	50	100
460	4.59	9.18	9.18	22.96	45.92	91.83
400	3.47	6.94	6.94	17.36	34.72	69.43
240	3.75	7.5	7.5	25	50	93.75
220	3.15	6.3	6.3	21	42	78.75
208	2.81	5.62	5.62	18.75	37.5	70.31



50%, 1 Phase, 2 Wire						
VAC	Load Steps kW					Total kW
240	1.87	3.75	3.75	12.5	25	46.87
220	1.57	3.15	3.15	10.5	21	39.37
120	0.471	0.945	0.945	3.15	6.30	11.81



67%, 1 Phase, 2 Wire-Jumpered						
VAC	Load Steps kW					Total kW
240	2.51	5.03	5.03	16.75	33.5	62.82
220	2.10	4.22	4.22	14.07	28.15	52.76
120	0.63	1.26	1.26	4.22	8.45	15.82

