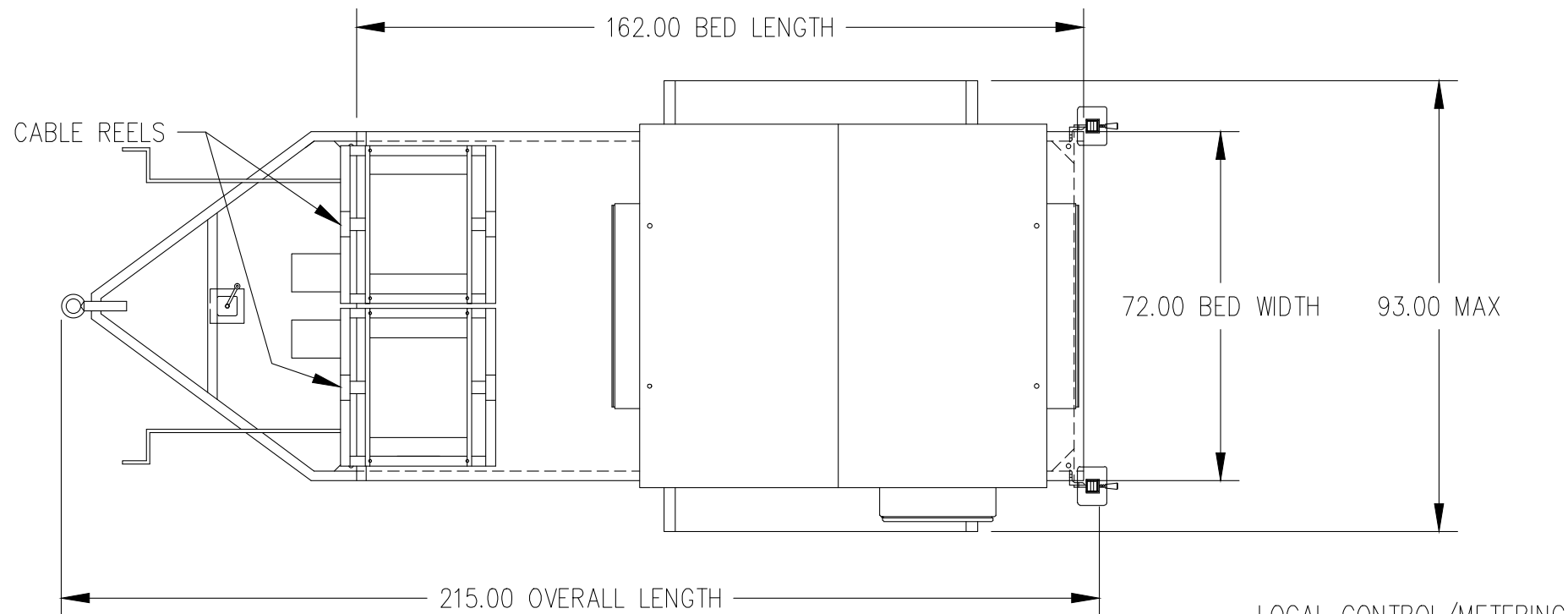


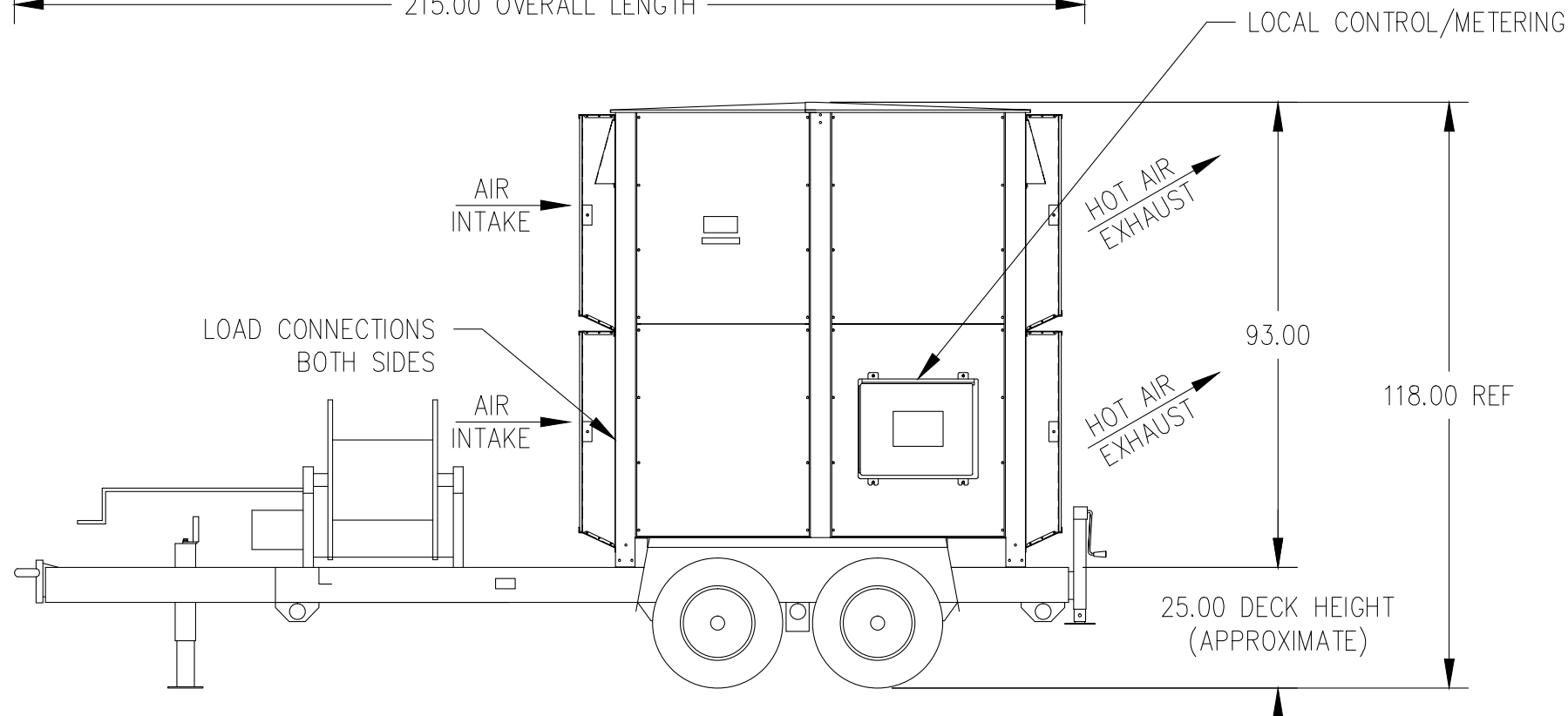
CAM LOK CONNECTION DETAIL
SEE NOTE 9



9. ALL CAM LOK CONNECTIONS ON BOTH SIDES MUST BE CONNECTED BEFORE APPLYING LOAD.
8. WHEN SURGE BRAKES ARE PROVIDED, REVIEW TRAILER MANUAL PRIOR TO OPERATION.
7. A MINIMUM OF 500 LBS OF CABLE ON REELS OR BALLAST IN THE CABLE REEL AREA IS REQUIRED FOR SAFE TOWING. LESS HITCH WEIGHT WILL CAUSE INSTABILITY.
6. THE FOLLOWING TABLE LISTS THE APPROXIMATE HITCH WEIGHT ACHIEVED BY LOADING CABLE ON THE STORAGE REELS. CAUTION SHOULD BE EXERCISED TO AVOID EXCEEDING THE TOWING VEHICLE'S HITCH CAPACITY.

CABLE WEIGHT LBS	HITCH WEIGHT LBS	% GVW
500	530	7%
1000	800	10%
1500	1050	12%
2000	1300	14%
3000	1800	18%

5. 1500 LBS MAX CABLE STORAGE CAPACITY PER REEL.
 4. TRAILER RATING: 10,000 LBS GVWR
 3. DIMENSIONS ARE IN INCHES.
 2. ALL DIMENSIONS ARE APPROX.
 1. WEIGHT: 6800 LBS, WITHOUT CABLES
- NOTES:



TRAILER MOUNT LOAD BANK
GENERAL REFERENCE OUTLINE DRAWING

Model 5900

Rev A