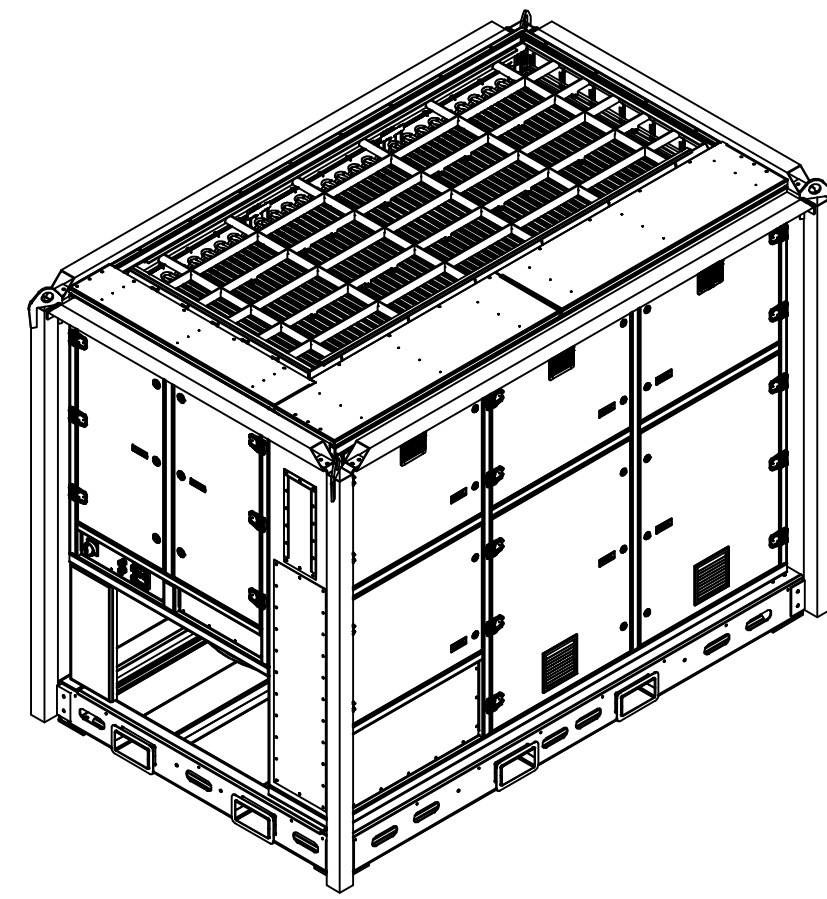


IMPORTANT NOTE - SUITABLY SIZED LIFTING SHACKLES SHOULD BE USED THROUGH LIFTING EYES WITH A MINIMUM SLING LENGTH OF 2500[98.4].

NOTE : 1.5M OF CLEAR SPACE SHOULD BE LEFT AROUND THE LOADBANK FOR COOL AIR INLET AND MAINTENANCE ACCESS. AT LEAST 5M SHOULD BE LEFT CLEAR BETWEEN HOT AIR OUTLET AND ANY SURFACE



APPROX WEIGHT - 2400 kg / 5291 lbs

	NJ Froment & Co Ltd Easton on the Hill STAMFORD - PE9 3NP - UK Tel: +44 (0) 1780 480033 avtronpower.com	© NJ Froment & Co. Ltd. This document may not be copied or disclosed in whole or part without prior written authority.		3220	CAD Code. 3220	
		Drawn - RPM	Date - 07/12/2021	GENERAL ARRANGEMENT - STATIC		Part Number. N/A
		Approved - RPM	Date - 17/10/2022	Scale. NTS	1st Angle Projection	Drg No. GAS3220A01
		Checked -	Date -	Dims. mm		Sheet 1 OF 1